



Please read all instruction thoroughly!

AUTOMATIC ELECTRIC GUN SERIES

Adjustable
**HOP-UP
SYSTEM**

**FAL Handling and
Instruction Manual**

WARNING

- Operation of this air gun for competition use is restricted to users of 18 years of age or older.
- Since plastic BB bullets reach 50 to 60 meters, careless shooting may cause eye damage or other injuries.
- Always read through this handling cautions and instruction manual carefully before operation.



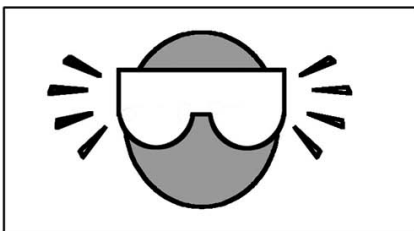
WARNING



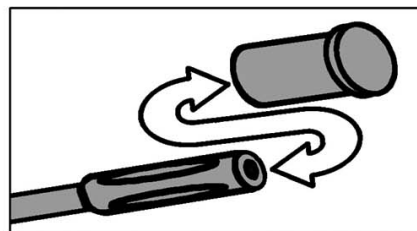
Always read through this manual before operation

This sport gun is developed for enjoying sport shooting operation. As the airsoft gun is capable to shoot BB bullets by 50 to 60 meters, careless shooting and wrong operation are dangerous, causing eye damage or other injury. Make sure to read through warning stipulated below and observe rules and manners for pleasant sport shooting.

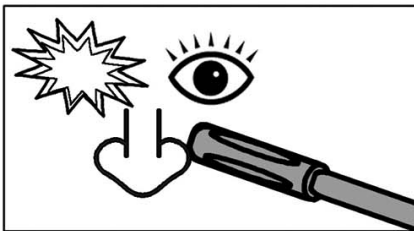
Operating this airsoft gun must be aged over 18 years old. Careless shooting and wrong operation are dangerous. Users must understand and follow the law of country before operating or possessing this product.



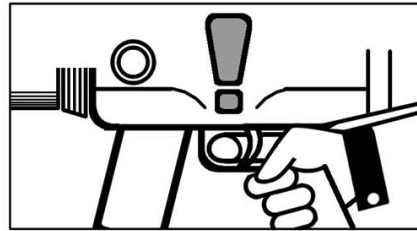
Always wear eye protective gear.



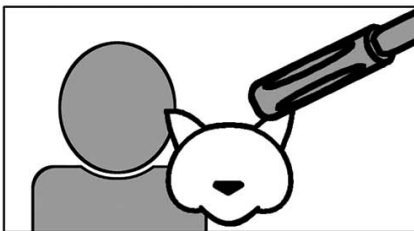
Always attach the protective plug to the gun muzzle



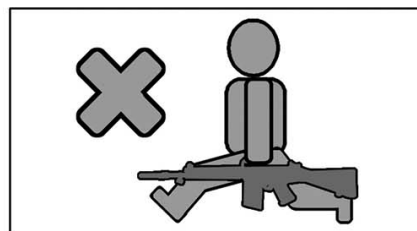
Never look into the gun muzzle



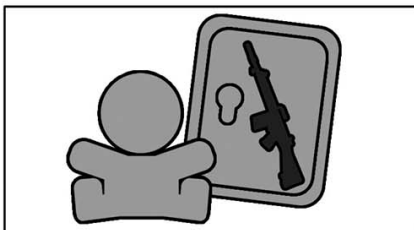
Avoid pulling the trigger carelessly



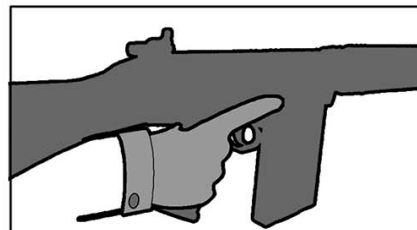
Never shoot the air gun towards a person or an animal.



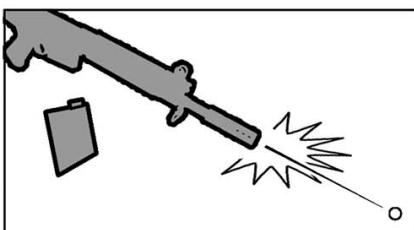
Always put the gun in a case or bag when you are carrying it.



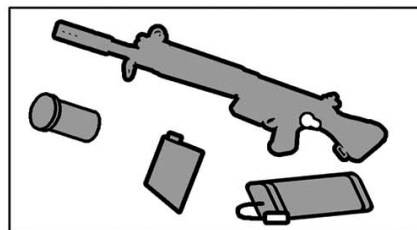
Store the air gun at places out of reach by children



Release put away your fingers from the trigger, except when you are ready to shoot a target



BB bullets may be shot out even if the magazine is removed



Always apply safety habits
-Set selector lever at the Safety position
-Attach the protective plug to the muzzle
-Remove the magazine
-Remove the battery from the airgun

Caution

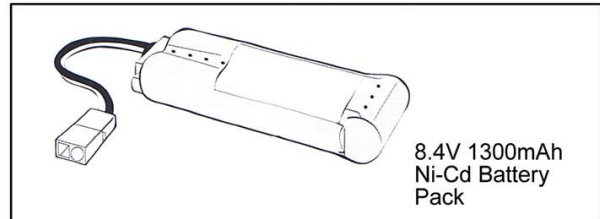
- Read through this manual before shooting. Pay special attention for safe operation.
- Always observe warnings and cautions strictly.
- Failing to do so may cause injury, accidents or damage to gun.

Charging the Battery

■ Charging the Battery (Battery and charger sold separately)

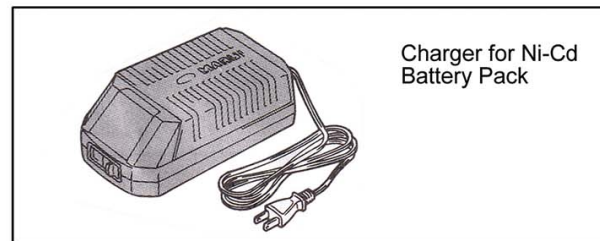
Use the specified battery for the gun.
8.4V 1300mAh Battery

Avoid use of non-standard battery
Otherwise, the originally designed functions will not be obtained.

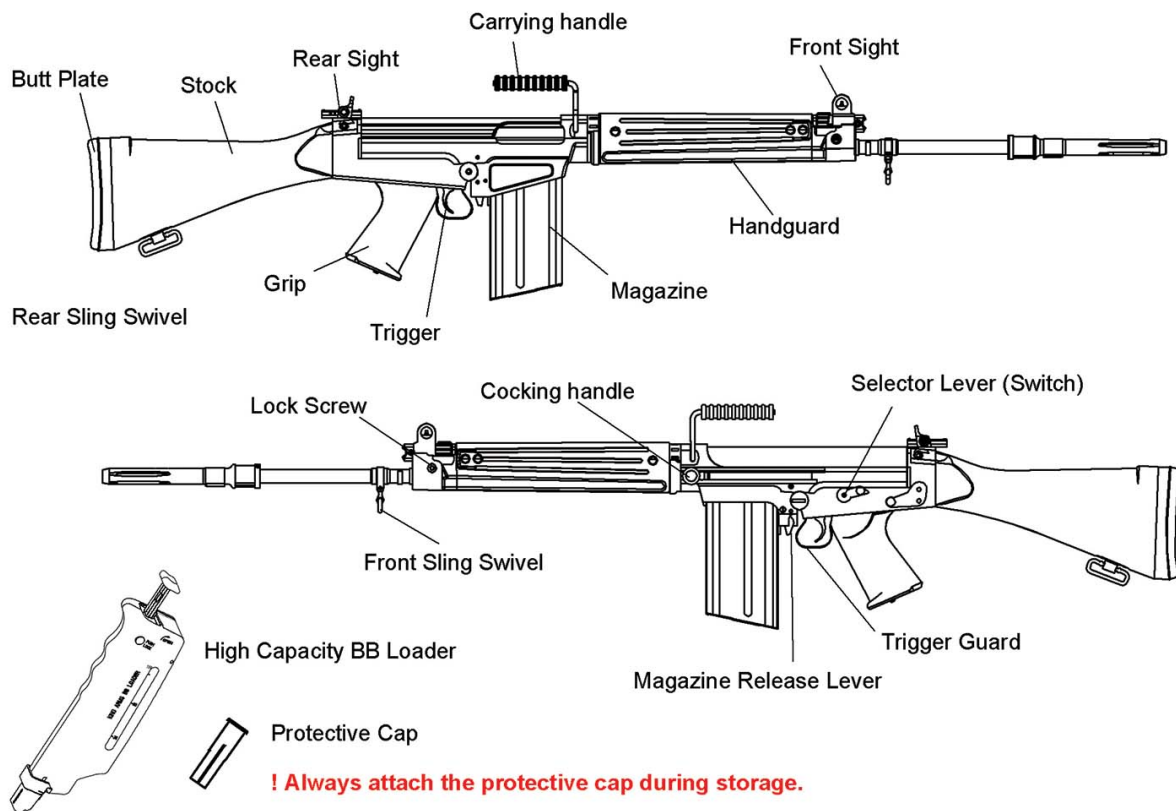


■ Use the specified battery charger which is applicable to the above battery.

Use the correct battery and charger according to respective instruction manuals. We will not be held responsible for any accident or damage caused by wrongful operation or usage of non-specified batteries.



Component Names



Selector Lever and Safety Setting

Warning

To prevent malfunction of the switch do not change the selector lever from semi to full auto while pulling the trigger.

Safety Setting

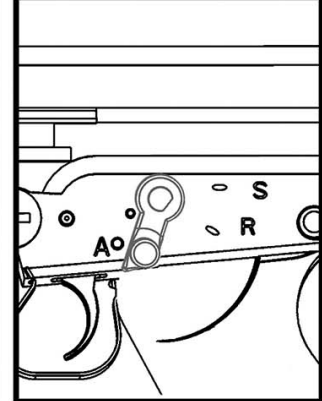
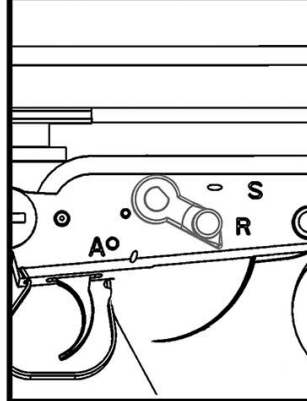
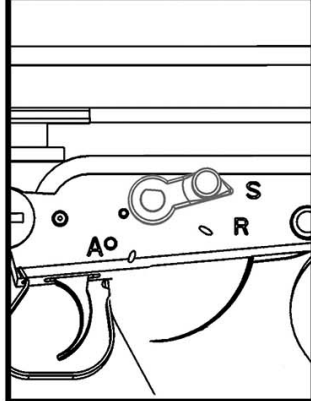
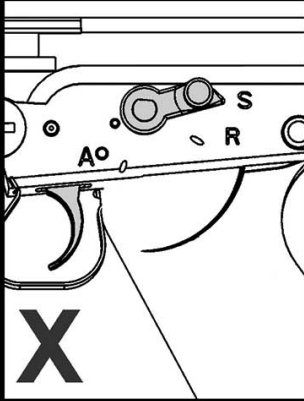
Always set the lever to the Safety position and attach the protective cap when you are not firing the gun or during storage.

Semi Auto (Single Shot)

The gun will fire one shot each time when the trigger is pulled

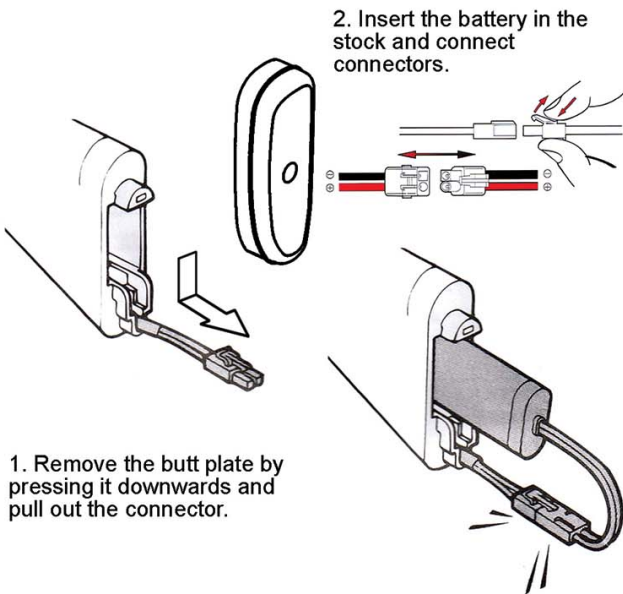
Full Auto (Automatic Firing)

The gun will fire automatically while the trigger remains pulled



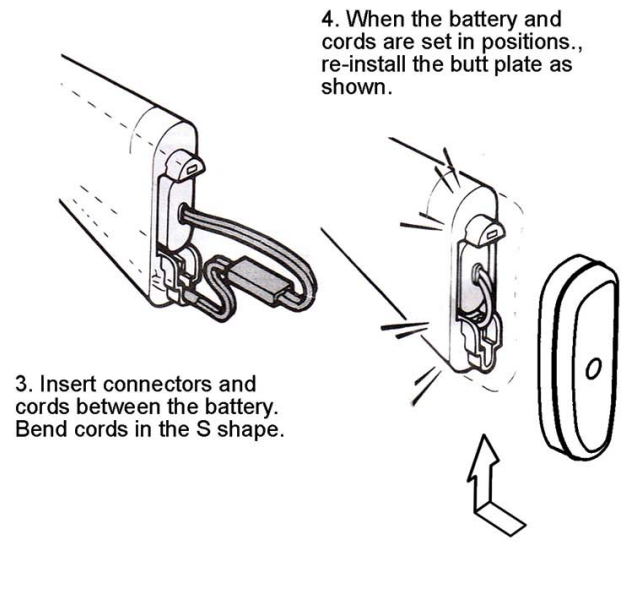
CAUTION: Set the selector lever correctly in position; otherwise, malfunction may occur.

Setting the Battery



1. Remove the butt plate by pressing it downwards and pull out the connector.

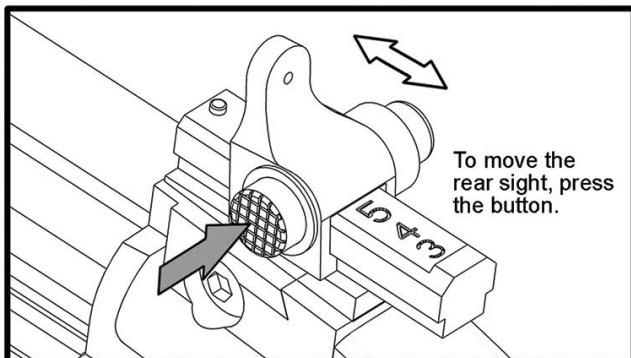
2. Insert the battery in the stock and connect connectors.



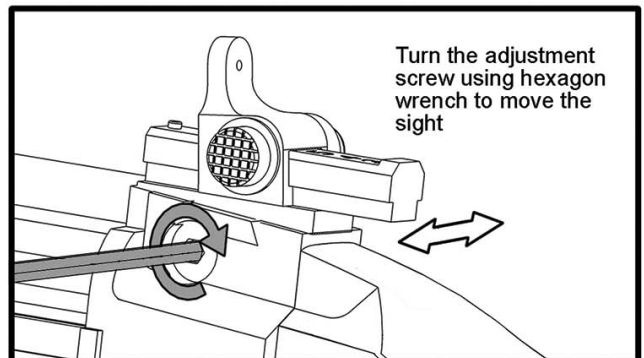
3. Insert connectors and cords between the battery. Bend cords in the S shape.

4. When the battery and cords are set in positions., re-install the butt plate as shown.

Movable Parts

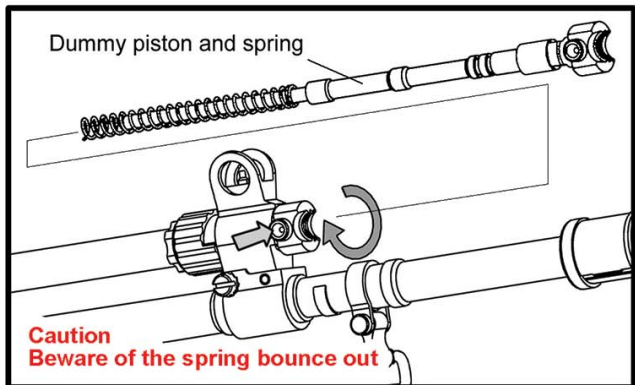
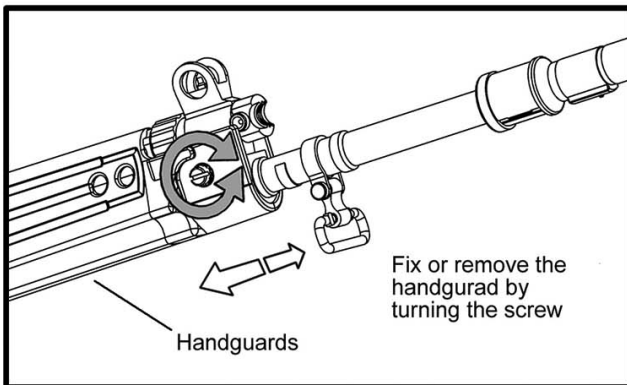
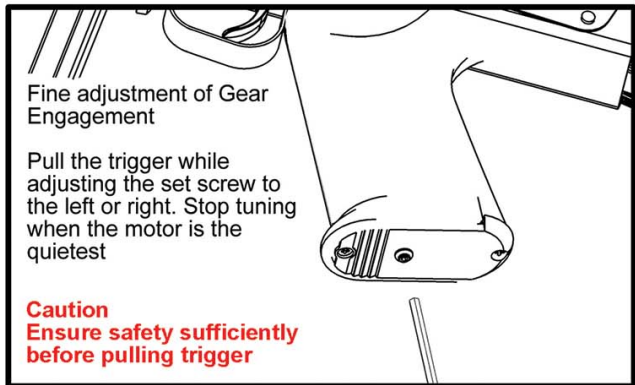
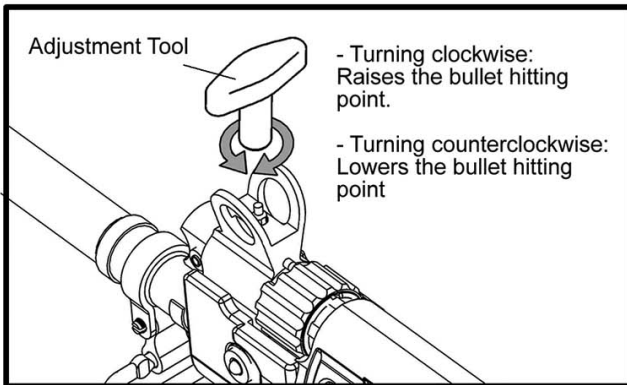


To move the rear sight, press the button.

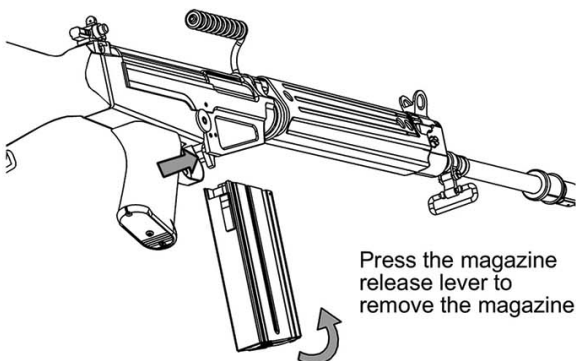


Turn the adjustment screw using hexagon wrench to move the sight

Movable Parts

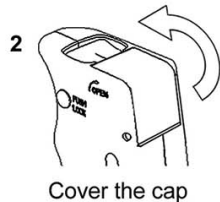
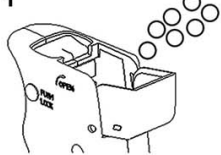


Setting the Magazine



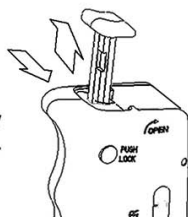
Inserting BB pellet

1



3

Release the loading rod by pressing the unlock button. Mind the rod that will bounce out rapidly.



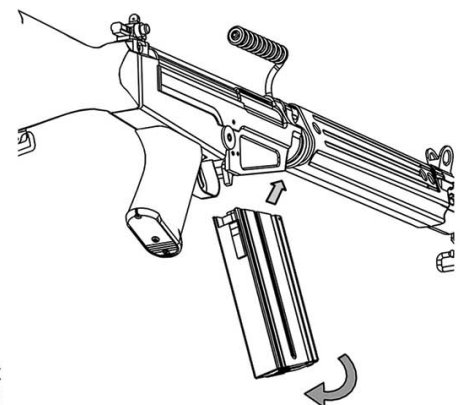
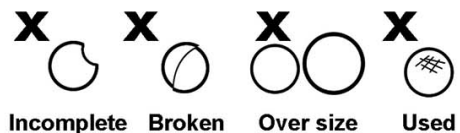
4

Align the loader's outlet with the magazine bullet loading end. Then press the rod to load BB into the magazine. When loading BB, make sure the loading rod was pressed and released completely

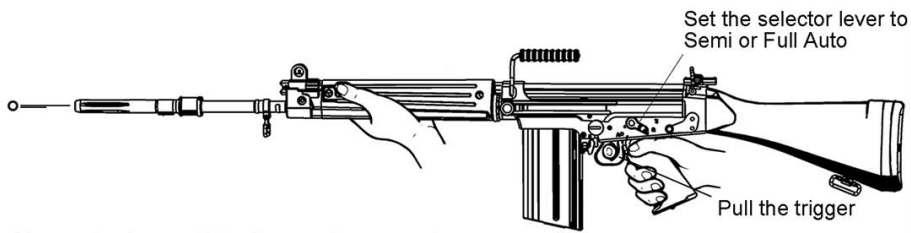


Always use new 6mm BB pellet

Do not use following BB



Firing



- Change the battery if the fire-rate becomes slow.
- A blank firing may occur at triggering after setting the magazine, this is the normal operation of the gun
- There are possible cases that no firing occurs after pulling the trigger in the semi-auto mode. In case, do not pull the trigger furiously. Fire 5 to 10 pellets in the full auto mode and then return to the semi auto mode.
- Smell may be generated from the motor for a while when a new air gun is operated. This is the normal operation of the gun.
- The hop up operation may be unstable for 200 to 300 pellets after using silicone oil, this is the normal operation of the gun.

⚠ WARNING ⚠

Confirm safety sufficiently before beginning firing

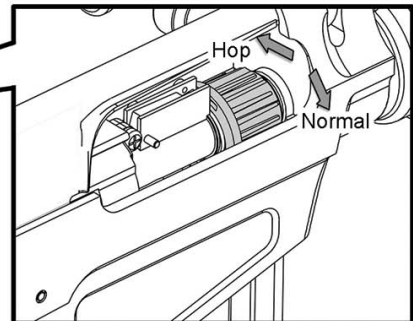
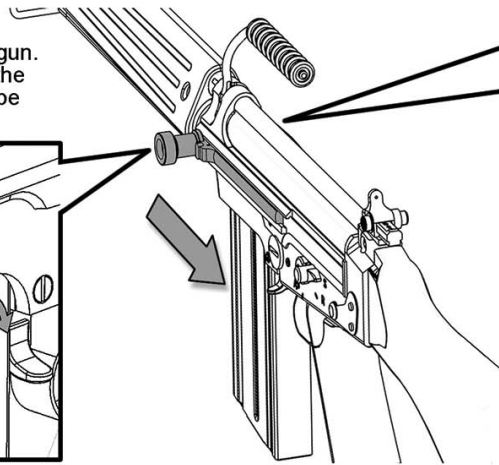
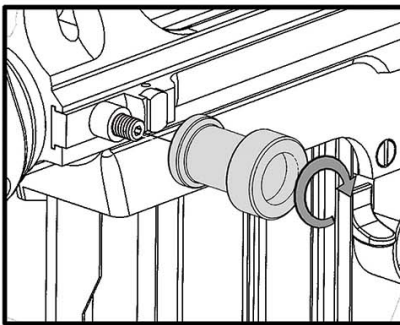
Remove the protective cap only when you are ready for firing the gun

Give the air gun rest for 5 to 10 minutes after firing about 500 bullets

Always attach the protective cap and set the selector lever to Safety position when the air gun not ready to fire

Variable Hop Up System

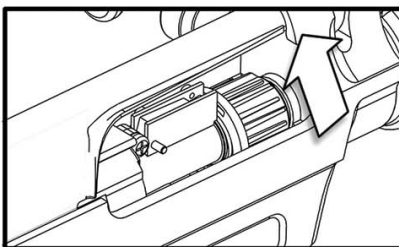
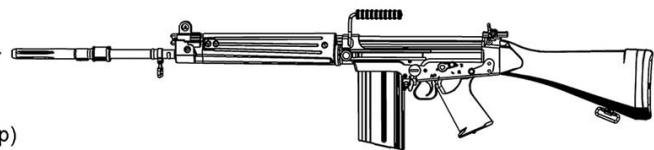
Screw the cocking handle to the gun. Cocking lever can be moved. At the same time, the ejection port can be opened and closed.



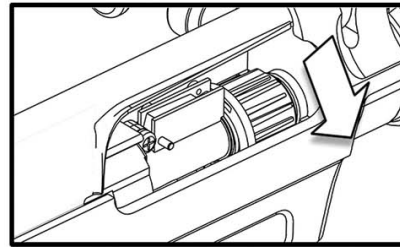
When the cocking handle were pulled, Variable hop-up dial will be seen at the ejection port side.

Adjust Hop Up

- X** ○ Excessive hop up (Turn the dial towards Normal)
- O** ○ Best Position
- X** ○ Not enough hop up (Gradually turn the dial towards Hop)



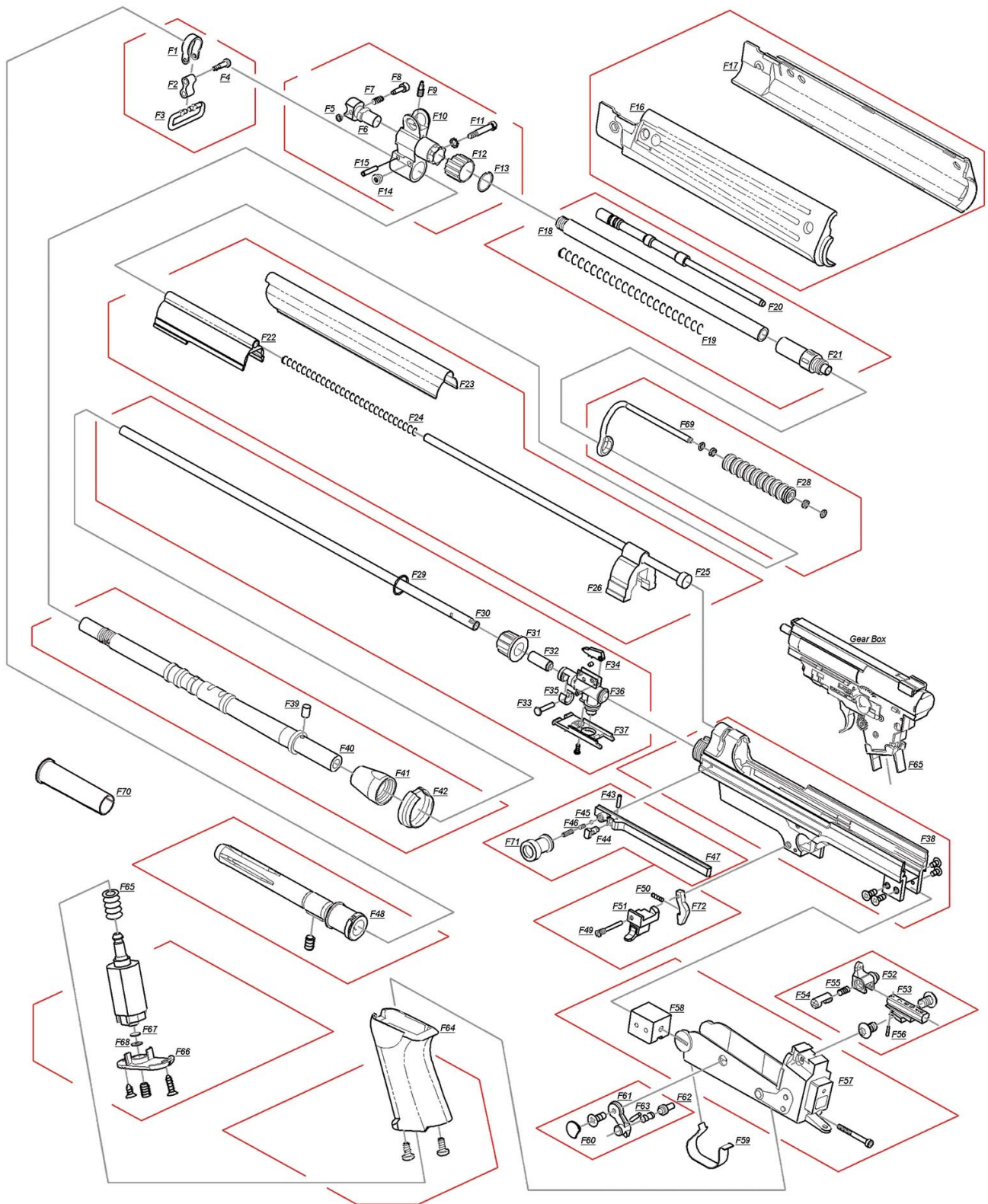
Not enough hop
Gradually turn the dial toward hop



Excessive hop up
Turn the dial toward Normal

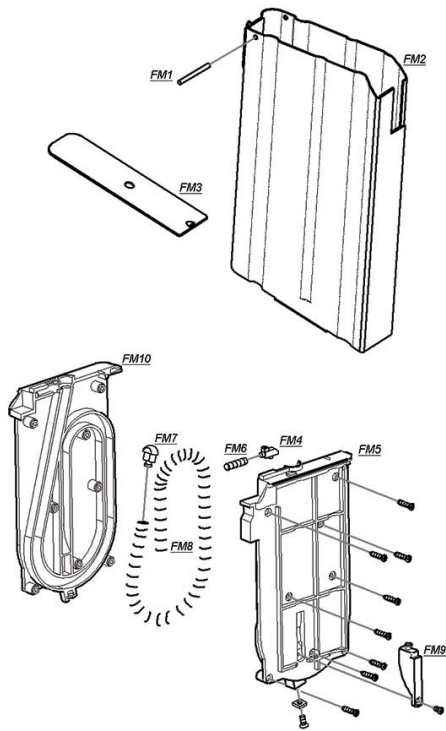
- Turning the hop dial excessively causes clogging of bullets. Keep pulling the trigger with bullets being clogged damages the piston and gears
- If bullet clogging occurs, immediately stop firing the gun, return the hop dial to the Normal position and remove clogging bullets using a clearing rod (not included in this packing).
- Make sure to return the hop dial to the Normal position when removing clogged bullets of cleaning. Otherwise, the chamber packing may be damaged.)
- Never use used and dirty bullets. Dirty chamber will result in unstable hopping up.
- Lacking or over spraying of silicone oil will also lead the hopping up unstable

Explosive Diagram

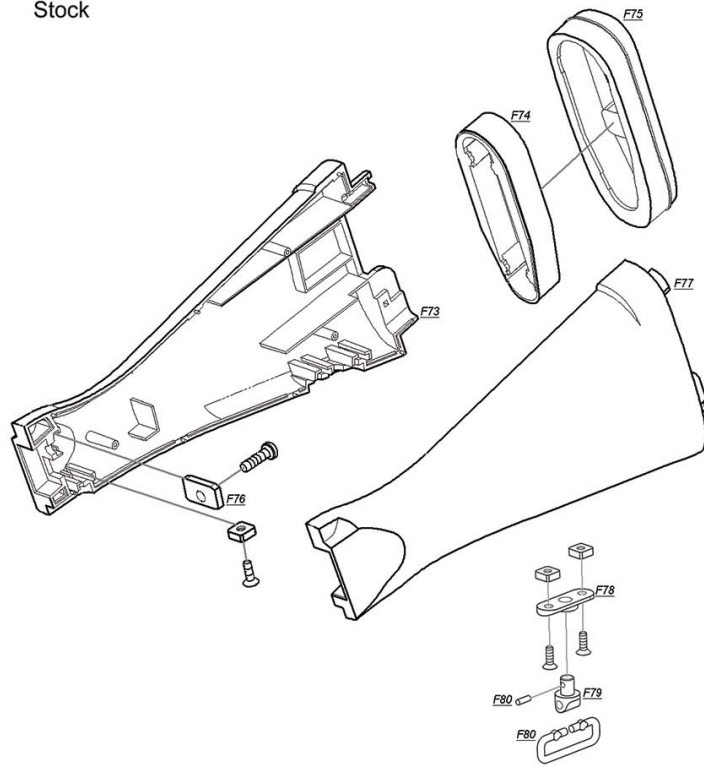


Explosive Diagram

Magazine



Stock



Thank you very much for buying King Arms product

Airsoft Gun Parts and Accessories Manufacturer



<http://www.KingArms.com>